

VÁLVULAS DE MARIPOSA / BUTTERFLY VALVES

VÁLVULA DE MARIPOSA WAFER CON ASIENTO Y DISCO EN PTFE. PN16 WAFER TYPE BUTTERFLY VALVE WITH PTFE SEAT & DISC. PN16



VALVESEAL
valves & sealing solutions

TF-BFV-W-DPTFE



UTILIZACIÓN / APPLICATION :

Fluidos corrosivos.
Corrosive fluids.

CARACTERÍSTICAS GENERALES / GENERAL CHARACTERISTICS :

Válvulas Wafer de eje centrado / Full crossing stem wafer type design.
Rango desde DN32/40 hasta DN300 / Range from DN32/40 up to DN300.
Cierre biidireccional / Bidirectional close.
Estanqueidad 100% / 100% tightness.
Palanca de 9 posiciones hasta DN200 / 9 positions handle with locking device up to DN200.
Pletina montaje ISO 5211 / ISO 5211 mounting pad.
Pintura: Rilsan RAL 5024 de 250 micras / Paint: Rilsan coated body RAL 5024 with 250 microns thickness min.
Asiento PTFE con 3 mm de espesor y junta de silicona de 6 mm.
PTFE sealing ring 3 mm thickness with silicone elastic gasket of 6 mm thickness.

NORMATIVAS / STANDARDS :

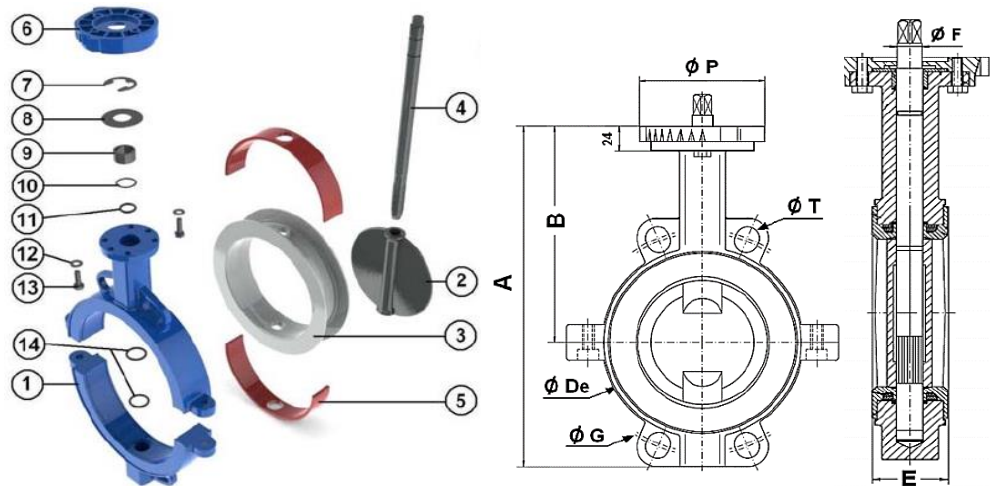
Fabricación / Manufacture according to : ISO 9001: 2015.
Distancia entre caras / Face to Face : EN 558-1 Serie 20.
Montaje entre bridas / Mounting between flanges EN1092-1 PN16 / ANSI150.
Pruebas de estanqueidad / Tightness Test according to : ISO 5208 Rate A.

CONDICIONES DE SERVICIO / WORKING CONDITIONS:

Máxima presión de trabajo DN32/40 a DN150 / Maximum Working Pressure DN32/40 to DN150 : 16 bar.
Máxima presión de trabajo DN200-DN300 / Maximum Working Pressure DN200-DN300 : 10 bar.
Temperatura máxima de trabajo / Maximum Working Temperature : - 25 °C / + 200 °C.

MATERIALES / CONSTRUCTION :

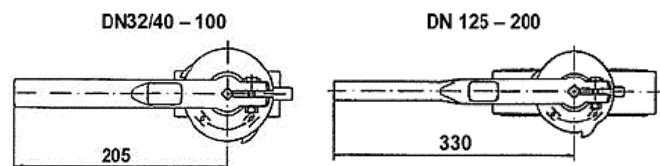
| No. | Pieza Part | Material Material |
|-----|---------------------------------------|----------------------------------|
| 1 | Cuerpo Body | EN-GJS500-7 |
| 2 | Disco Disc | 316 ASTM A351 CF8M PTFE LINED |
| 3 | Asiento Seat | PTFE |
| 4 | Eje Shaft | S.Steel 316 |
| 5 | Inserción Asiento Insert Manchette | Silicone |
| 6 | Placa Plate | Aluminum |
| 7 | Circlips Circlips | S.Steel 316 |
| 8 | Aro Ring | S.Steel 316 |
| 9 | Enchufe Socket | S.Steel 316 |
| 10 | Junta tórica O'ring | FKM |
| 11 | Junta tórica O'ring | FKM |
| 12 | Arandela Washer | S.Steel 316 |
| 13 | Tornillo Placa Plate screw | A4 |
| 14 | Junta tórica O'ring | FKM |
| | Palanca Lever | Aluminum |



DIMENSIONES / DIMENSIONS :

| DN ND | A | B | Øde | E | ØF | ØG | ØP | ØT | Peso Weight |
|----------|-----|-----|-----|----|------|-----|-----|----|----------------|
| 32/40 | 205 | 140 | 83 | 33 | 10,5 | 110 | 88 | 18 | 2,5 |
| 50 | 226 | 156 | 103 | 43 | 10,5 | 125 | 88 | 18 | 4 |
| 65 | 242 | 161 | 117 | 46 | 14,5 | 145 | 88 | 18 | 4,57 |
| 80 | 262 | 167 | 134 | 46 | 16,5 | 160 | 88 | 18 | 5,18 |
| 100 | 290 | 184 | 150 | 52 | 16,5 | 180 | 88 | 18 | 6,5 |
| 125 | 326 | 207 | 185 | 56 | 18,5 | 210 | 105 | 18 | 9,5 |
| 150 | 348 | 215 | 205 | 56 | 18,5 | 240 | 105 | 23 | 10,37 |
| 200 | 438 | 257 | 270 | 60 | 22,5 | 295 | 105 | 23 | 16,8 |

PALANCAS / LEVERS



VÁLVULAS DE MARIPOSA / BUTTERFLY VALVES

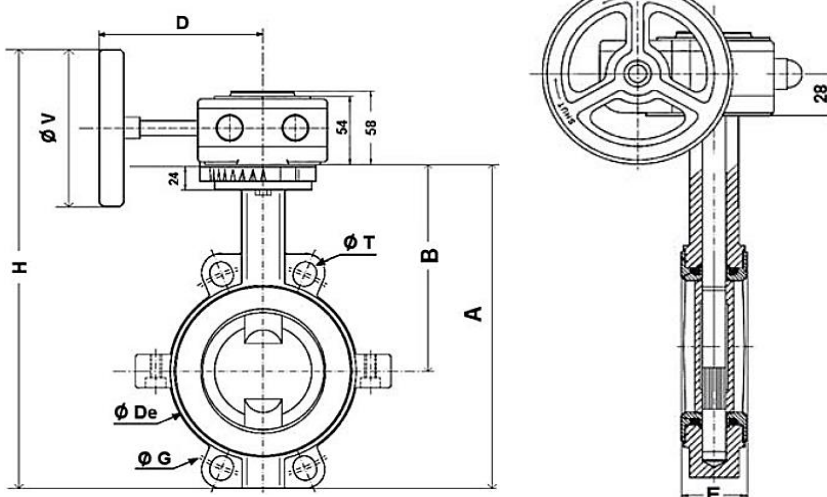
VÁLVULA DE MARIPOSA WAFER CON ASIENTO Y DISCO EN PTFE. PN16
 WAFER TYPE BUTTERFLY VALVE WITH PTFE SEAT & DISC. PN16



VALVESEAL
 valves & sealing solutions

TF-BFV-W-DPTFE

REDUCTOR MANUAL / GEAR-BOX:



DIMENSIONES / DIMENSIONS :

| DN ND | A | B | Øde | D | E | H | ØG | ØT | ØV | Peso Weight |
|----------|-----|-----|-----|-----|----|-----|-----|----|-----|----------------|
| 32/40 | 205 | 140 | 83 | 120 | 33 | 304 | 110 | 18 | 140 | 3,85 |
| 50 | 226 | 156 | 103 | 120 | 43 | 326 | 125 | 18 | 140 | 5,35 |
| 65 | 242 | 161 | 117 | 120 | 46 | 341 | 145 | 18 | 140 | 5,92 |
| 80 | 262 | 167 | 134 | 120 | 46 | 364 | 160 | 18 | 140 | 6,53 |
| 100 | 290 | 184 | 150 | 120 | 52 | 392 | 180 | 18 | 140 | 7,85 |
| 125 | 326 | 207 | 185 | 136 | 56 | 452 | 210 | 18 | 200 | 11,25 |
| 150 | 348 | 216 | 205 | 136 | 56 | 477 | 240 | 23 | 200 | 12,12 |
| 200 | 438 | 256 | 270 | 136 | 60 | 566 | 295 | 23 | 200 | 18,55 |
| 250 | 448 | 248 | 320 | 223 | 68 | 634 | 350 | 23 | 300 | 35,00 |
| 300 | 515 | 280 | 373 | 223 | 78 | 701 | 400 | 23 | 300 | 46,00 |

Las especificaciones del producto están sujetas a modificaciones sin previo aviso. The specifications of the presented products are open to modifications without previous advice.