

# POSICIONADORES ROTATIVOS / ROTARY POSITIONERS

## POSICIONADORES ROTATIVOS PARA ACTUADORES NEUMÁTICOS ROTARY POSITIONERS FOR PNEUMATIC ACTUATORS



**VALVESEAL**  
valves & sealing solutions

**TF-POS-YT1000R**



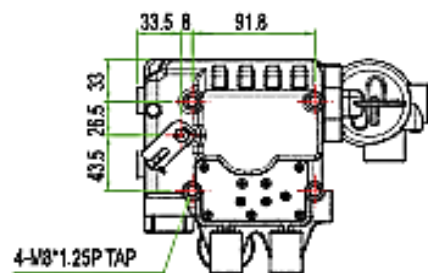
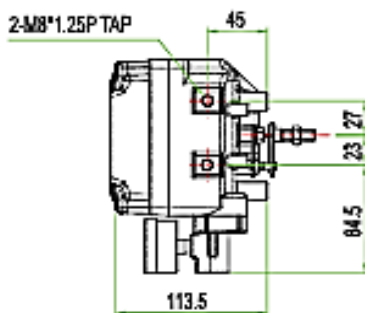
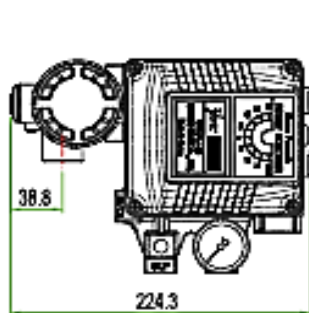
### UTILIZACIÓN / APPLICATION :

El posicionador electroneumático YT-1000R se utiliza para el funcionamiento de los actuadores de válvulas rotativas neumáticas por medio de un controlador eléctrico o un sistema de control con una señal de salida analógica de DC 4 a 20 mA o rangos intermedios.

The Electro-Pneumatic Positioner YT-1000R is used for operation of pneumatic rotary valve actuators by means of electrical controller or control system with an analog output signal of DC 4 to 20mA or split ranges.

Item - Type	Single	Double
Input Signal	4-20mA DC	
Impedance	250 ± 15 Ω	
Supply Pressure	0.14~0.7MPa(1.4~7 bar)	
Stroke	0 ~ 90°	
Air Connection	PT(NPT,G)1/4	
Gauge Connection	PT(NPT) 1/8	
Conduit	G(PF,NPT)1/2, M20	
Explosion Protection Type	ATEX (I 2 G) Ex dmb IIB T5 IECEx (I 2 G) Ex mb IIB T5 KCs Ex dmb IIB T5/Ex d IIC T5 IP66/Ex ia IIB T6 Gb TS Ex db mb IIB T5 Gb X CSA (Class I, Zone 1) Ex dm IIB T5 FM XP-S/II/CD/T5 Ta=60°C; DIP/II/II1/EF/G/T5 Ta=60°C ; Type 4X NEPSI Ex dmb IIC T6 Gb TIIS Ex dmb IIB T5	
Ingress Protection	IP66	
Operating Temp	Operating	Explosion
	-20°C~70°C(-4~158°F)	-20°C~60°C(-4~140°F)
Linearity	± 1% F.S.	± 2% F.S.
Hysteresis	± 1% F.S.	
Sensitivity	± 0.2% F.S.	± 0.5% F.S.
Repeatability	± 0.5% F.S.	
Air Consumption	2.5LPM (sup=0.14MPa)	
Flow Capacity	80LPM (sup=0.14MPa)	
Material	Aluminum Diecasting	
Weight	2.8kg (6.2 lb)	

\* For additional SPTM, L/S specification refer to p. 25, 27(Internal) and 26, 28 (External).



Model	Acting Type	Explosion Protection	Lever Type	Orifice Type	Conduit - Air Connection	Operating Temp*2	Option1	Option2 *2
YT-1000R	<b>S</b> Single	<b>N</b> Non-Explosion	<b>1</b> M6 x 34L	<b>1</b> φ 1	<b>1</b> G1/2 - PT1/4	<b>S</b> -20°C ~ 60°C	<b>0</b> NONE (St'd)	<b>0</b> NONE
	<b>D</b> Double	<b>M</b> ATEX, IECEx, TS, KCs	<b>2</b> M6 x 63L	<b>2</b> φ 2	<b>2</b> G1/2 - NPT1/4	<b>H</b> -20°C ~ 120°C	<b>1</b> Dome Cover	<b>1</b> + SPTM(Internal)
		<b>A</b> CSA, FM	<b>3</b> M8 x 34L	<b>3</b> None	<b>3</b> G1/2 - G1/4	<b>L</b> -40°C ~ 70°C		<b>2</b> + SPTM(External)
		<b>C</b> KCs, NEPSI	<b>4</b> M8 x 63L		<b>4</b> M20 - NPT1/4 *1			<b>3</b> + L/S(Internal)
		<b>I</b> KCs		<b>5</b> NAMUR	<b>5</b> NPT1/2 - NPT1/4			<b>4</b> + L/S(External)
		<b>X</b> TIIS						<b>5</b> + SPTM + L/S(Internal)

\*1 M20 adapter is attached to conduit entry

\*2 With high-low temp and/or internal external SPTM, L/S option, positioner must be non-explosion type.